



TOTALLY

## GLASS SCREENS AND DOORS

- *Design your own shower screen system for 40mm trays or wetfloors*
- *Create a wetroom – any size, anywhere*

**ALL-BRITISH**

**BETA**

**MODULAR**

FRAMINGLESS

# Beta Screens and Doors

**BETA** MODULAR  
MADE TO MEASURE AT STOCK PRICES ALL-BRITISH

Beta Screens are distinguished by an uncompromising, full glass look, offering minimalist luxury at an affordable price. The effect is fully frameless, using a choice of either full height edge profile or individual edge clamps for wall fixing. These achieve clean, pure sight lines that harmonise with both traditional or contemporary features and fittings. Create a luxury wetroom by forming the panels in any format or simply stand the screen onto a tray.

Screen stock sizes widths: 100mm to 1400mm in 100mm increments.

Door stock widths: 700mm, 750mm and 800mm.

Thicknesses: 6mm, 8mm or 10mm, clear or satinised.

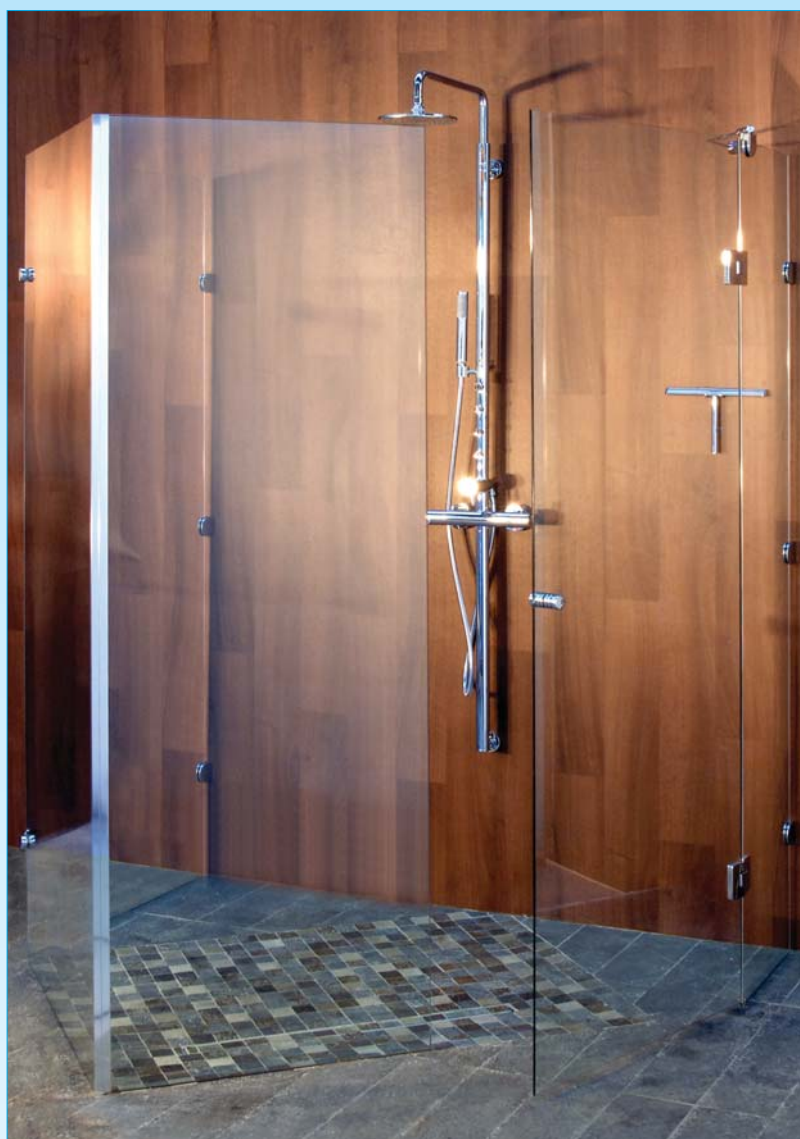
Heights: 2000mm is standard – see below for special sizes.

Doors use non-handed hinges that self-lock at 90° and allow 170° of movement, both ways. The curved bar handle doubles as a towel rail. Screens can be located either by slim profile channel or by three wall edge clamps allowing 10mm of adjustment together with a very slim angled or straight top brace. The toe pedestal offers a lower gap of 17mm, 65mm or 130mm, or simple ground contact via floor profile. Edge seals are optional – see page 8.

#### Screen Hardware Contents

A typical screen kit would include:

- 3 edge clamps or slim profile channel
- 1 x 17mm toe pedestal
- 1 x 1200mm straight top brace.



#### Special Sizes

There is no extra charge for special sizes (within reason). Maximum screen width: 3500mm; maximum door width: 1100mm (if height reduced to 1500mm).

If you require custom glass widths, shorter heights or angled top edges, please fax a sketch or drawing.

Hardware is mainly brass with a plated polished chrome finish.

Toughened B.S.6206 Class A.

We recommend Shower Guard stain-resist treatment – it prevents stains, bloom and mould growth.

**Beta's Minimalist elegant screens and doors are frameless and represent great value – the finest British quality at the lowest price.**



#### Mobility/healthcare screens

Specially designed 850mm clear or obscure (satinised) glass screens allow easy access for mobility and healthcare users. They provide a true level-access wetfloor and can be either tiled or vinyl. The 'screen' in this application is actually a door used for the following safety and practical reasons.

Safety – if a fall should occur the screen will move out of the way, eliminating injury caused either by a rigid fixed edge or by glass granules from broken safety glass.

Practicality – a gap of 6mm to 50mm at the bottom is essential for back drainage from the inevitable water spillage over the top of the screen. Otherwise, they can be sealed to floor with an 'H' profile or edge channel.



#### Over-bath screens and doors

Stock sizes: 750mm x 1500mm and 850mm x 1500mm

Thickness: 8mm only.



#### Communal Showers and Special Needs

Beta Screens can be made to architect's specifications for hotels, spas, outdoor pursuits, mobility/healthcare users, leisure centres and sports changing rooms.

**MADE TO MEASURE AT STOCK PRICES ALL-BRITISH**

**BETA**

**MODULAR**

# Fixings

Our range of architect-designed wall and floor fixings reinforce the Beta Screens minimalist theme to achieve an unobtrusive yet sturdy support for your shower enclosure.

## Wall fixing

Edge clamps add 17mm to the width: an 800mm screen will finish 817mm wide. (3 options)



Three edge clamps  
(10mm adjustment)



Slim 17mm channel  
(6mm adjustment)



Compensator profile  
(28mm adjustment) – extra cost

## Floor Fixing onto Tiled Wetfloor

- Toe Pedestal: 17mm, 65mm or 130mm gap
  - Silicone to tile
  - Aluminium 'H' profile (see below)
  - Floor channel to match wall channel.
- The toe pedestal is recommended as it avoids hydroscopic attraction of water, limescale and grime; a clean, elegant finish will be assured.



Toe Pedestal – 17mm gap



Toe Pedestal – 130mm gap

## Floor Fixing onto a Tray

- Silicone to tray
- Aluminium 'H' profile
- Translucent bottom seal (see Seals on page 8).

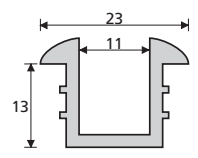


Aluminium 'H' profile

## Flush Mounting Channel

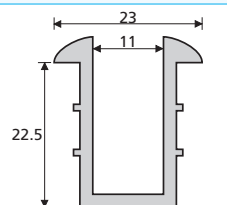
FMC130 For walls and floor.  
13.5mm deep.

FMC225 For walls, floor and ceiling.  
22.5mm deep



FOR WALLS & FLOOR  
FMC 130

FMC130

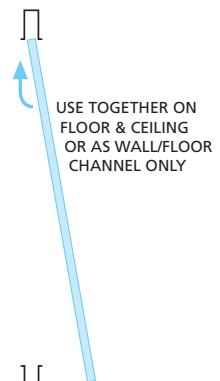


FOR WALLS, FLOOR, CEILING  
FMC 225

FMC225



Flush Mounting Channel



USE TOGETHER ON  
FLOOR & CEILING  
OR AS WALL/FLOOR  
CHANNEL ONLY

Flush Mounting Channels used together



# Bracing/Steadying Solutions

To add strength to our full-height screens we offer a range of bracing and steadying solutions. Choose from the range below to will suit your wetroom layout.



Straight and angled top braces



90° Bracket Brace

## Wall Fixing Methods

There are two styles of top brace available, both using ultra-slim 8mm diameter rods – a straight 1200mm or an angled 800mm.

Or choose a 90° Bracket Brace.



Short Ceiling Fixing



Ceiling Pole

## Ceiling Fixing Methods

There are no less than four different options available for ceiling fixing:

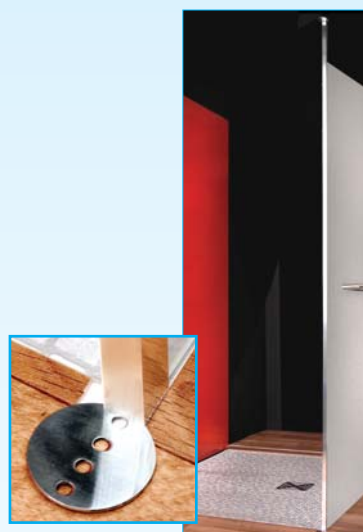
- Short ceiling fix only 100mm to 1170mm.
- Floor to ceiling 800mm to 2600mm full height.
- Blade ceiling fixing 1145mm or 275mm
- Ceiling Pole



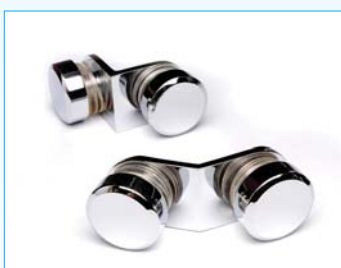
Blade Ceiling Fixing 1



Blade Ceiling Fixing 2



Full Height Ceiling Fixing (foot inset)



Angled brackets, glass to glass

## Glass to Glass Fixing

The last of our many fixing methods is to utilise glass to glass angled brackets.

MADE TO MEASURE AT STOCK PRICES ALL-BRITISH

BETA

MODULAR

# Accessories

To complete the stylish look of your wetroom we have a range of handles, hinges and flush mounting channels that will add that finishing sparkle.

## Handles/Knobs



Dual Door Handle/Towel Rail  
Length 600mm



151 Traditional Dual Door Handle  
Length 160mm



203 Square Handle  
Length 224mm



320 Super-Slim  
single sided handle  
Length 354mm



30mm Knobs

## Hinges



Standard Wall Hinge. Moves 180° (or less if restricted by protruding handles or knob).



Glass to Glass Hinge (Inline). Moves 180°

## Glass Storage Unit

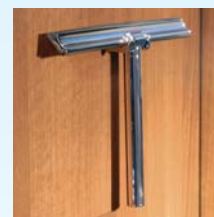
Captures the spirit and ethos of the wetroom. Co-ordinates with the minimal Beta Screens.

Height: 1750mm

Depth: 270mm

GSU295 – 295mm wide

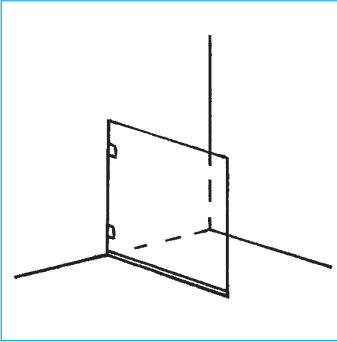
GSU415 – 415mm wide



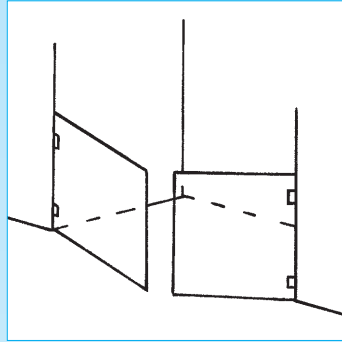
Squeegee

**BETA MODULAR**  
**MADE TO MEASURE AT STOCK PRICES ALL-BRITISH**

# Designing your wetroom

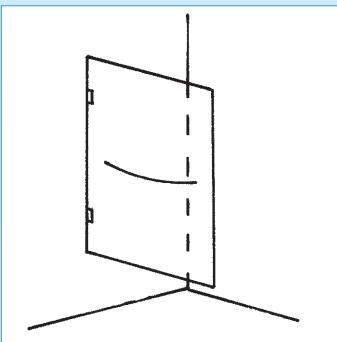


Easy access 850mm door

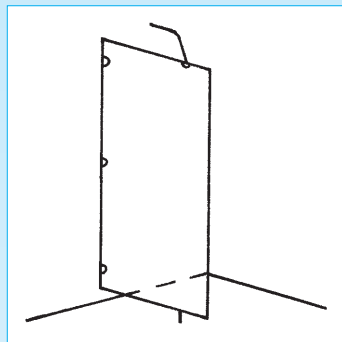


Double doors

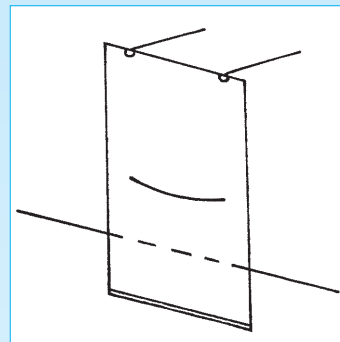
The shower screen epitomises the essence of the wetroom concept. The all-British BETA modular panels can be combined with total flexibility to create a unique and exclusive wetroom layout. Use these drawings for inspiration to design a corner wetroom or even a twin showering area. In truth, no door or screen is strictly needed, but they are often used for privacy (satinised) or to limit splashing.



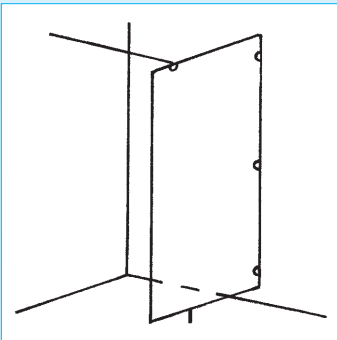
1500mm high extra-wide door acting as a screen (optional towel rail handle)



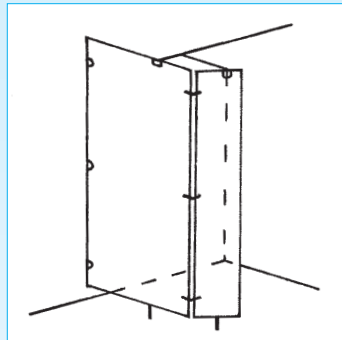
Screen, angled top brace



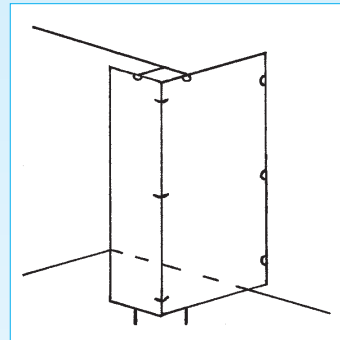
Double showering space (optional towel rail handle)



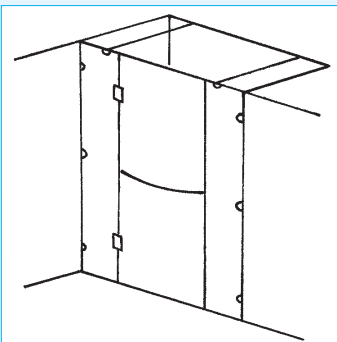
Screen, straight top brace



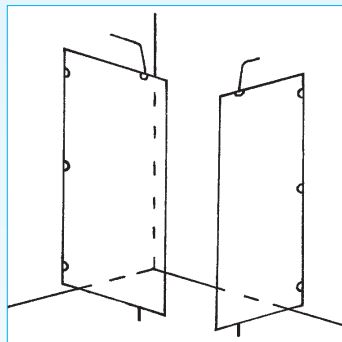
135° not handed



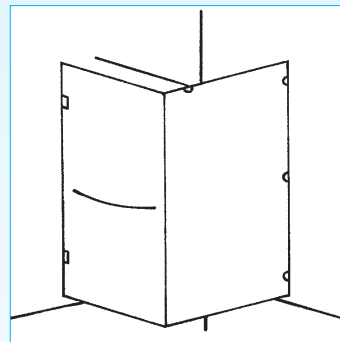
90° not handed



Alcove/recess with or without side screens



Twin screen



Door and screen forming enclosure

**MADE TO MEASURE AT STOCK PRICES ALL-BRITISH**

**BETA**

**MODULAR**

# Seals

## Side Edge Seals

Optional translucent seals.

The side gap is 17mm on screens with edge clamps and 8mm on doors.

Unless water is playing directly onto the gap, the minimal splashing that does occur will drain slowly away under the bottom gap along the slope to the drain. However, in the UK we have an 'enclosure' mentality which implies total sealing.

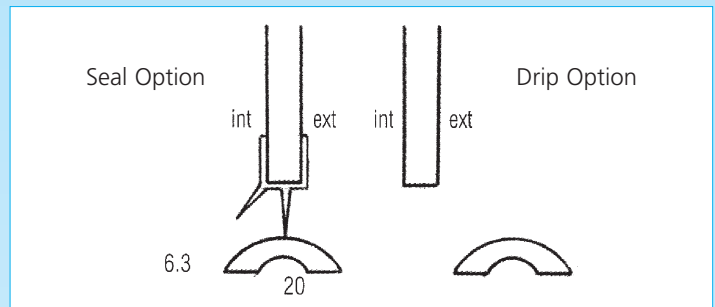
Most people are happy with translucent bubble seals which have a minimal visual impact and 95% effectiveness (suits doors or screens). Angled screens with 90° and 135° profiles are available.

## Bottom Edge Seals

The Drip Seal is used with or without a Threshold Bar (see drawing).

'H' profile is silicone sealed to tile or vinyl, never drilled to avoid puncturing membrane.

Important Note: If bottom seals are used, select these before drilling walls for hinges or clamps as the height will be affected.



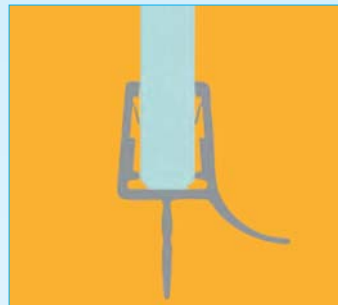
Threshold Bar (900mm only)



Side Bubble Seal



Side Flap Seal



Bottom Seal

### Warranty

Lifetime guarantee on all hardware.

### Disclaimer

Products should be installed by a competent person within the meaning of the Building Regulations. We cannot accept responsibility where this is not the case.

We reserve the right to make a refundable charge in advance of taking remedial action where we feel that incorrect fitting may be an issue.

- We reserve the right to change prices, designs or specifications at any time without notice.
- Prices do not constitute a formal offer and may change at any time.
- We always try and maintain published prices, but please confirm prices with us before ordering.
- 'All British' means glass and 85% of hardware.

### Wetroom Innovations

Riverside Business Park  
Bakewell  
DE45 1GS

Telephone: 01629 815500

Fax: 01629 812632

[www.betascreens.com](http://www.betascreens.com)

[www.wetroominnovations.com](http://www.wetroominnovations.com)